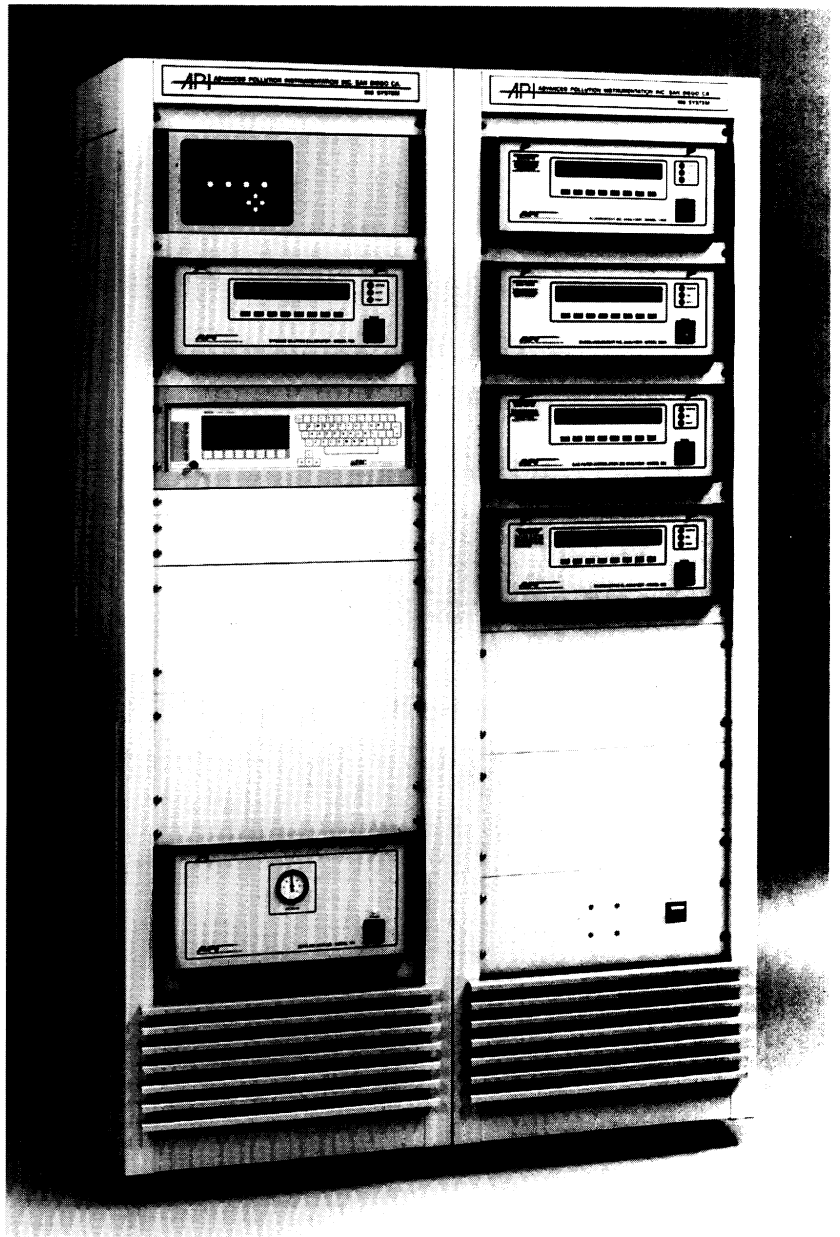


900 SYSTEM

AMBIENT AIR QUALITY MONITORING SYSTEM

- Tested as a Complete System
- Shipped Fully Wired and Plumbed
- EPA Approved Analyzers:
 - Model 100A SO₂ UV Fluorescent
 - Model 200A NO_x, NO, NO₂ Chemiluminescent
 - Model 300 CO Gas Filter Correlation
 - Model 400 Ozone UV Absorption
- Model 700 Programmable Multi-Gas Calibrator with:
 - Mass Flow Controllers
 - SO₂, NO, CO, HC Dilution
 - NO₂ by GPT
 - Ozone Generator
 - SO₂ or NO₂ Perm Tube
 - Optional Photometer
- Model 701 Zero Air System for:
 - SO₂, H₂S, NO₂, NO, O₃, CO,
 - THC Scrubbers (Option)
 - Long-life Regen Scrubber
 - Automatic Pump Control
- Sample Manifold
- System Cabinet with circuit breaker, wire trays, ventilation fans and exhaust manifold
- Certified Calibration Cylinders with regulators
- Data Acquisition Equipment
 - 16 Analog Input Channels
 - 32 Digital I/O for events and Control
 - RS232 I/O
 - Optional: Modems/Printer/Report/Telemetry Software
- System Documentation
 - Operation Manuals
- OPTIONAL EQUIPMENT:
 - TSP Beta Gauge Analyzer
 - Cyclone Head (Option),
 - PM10 Head (Option)
 - Model 800 THC-CH₄ Analyzer
 - H₂ Generator
 - Met Equipment
 - Strip Chart Recorder(s)



900 SYSTEM

AMBIENT AIR QUALITY MONITORING SYSTEM

The Model 900 System is a fully integrated ambient air quality system. We ship the system wired and plumbed and fully checked out ready to be installed. Each 900 System undergoes an intensive final inspection prior to shipment to ensure the operational integrity of the entire system. You simply need to provide a suitable shelter, connect the Model

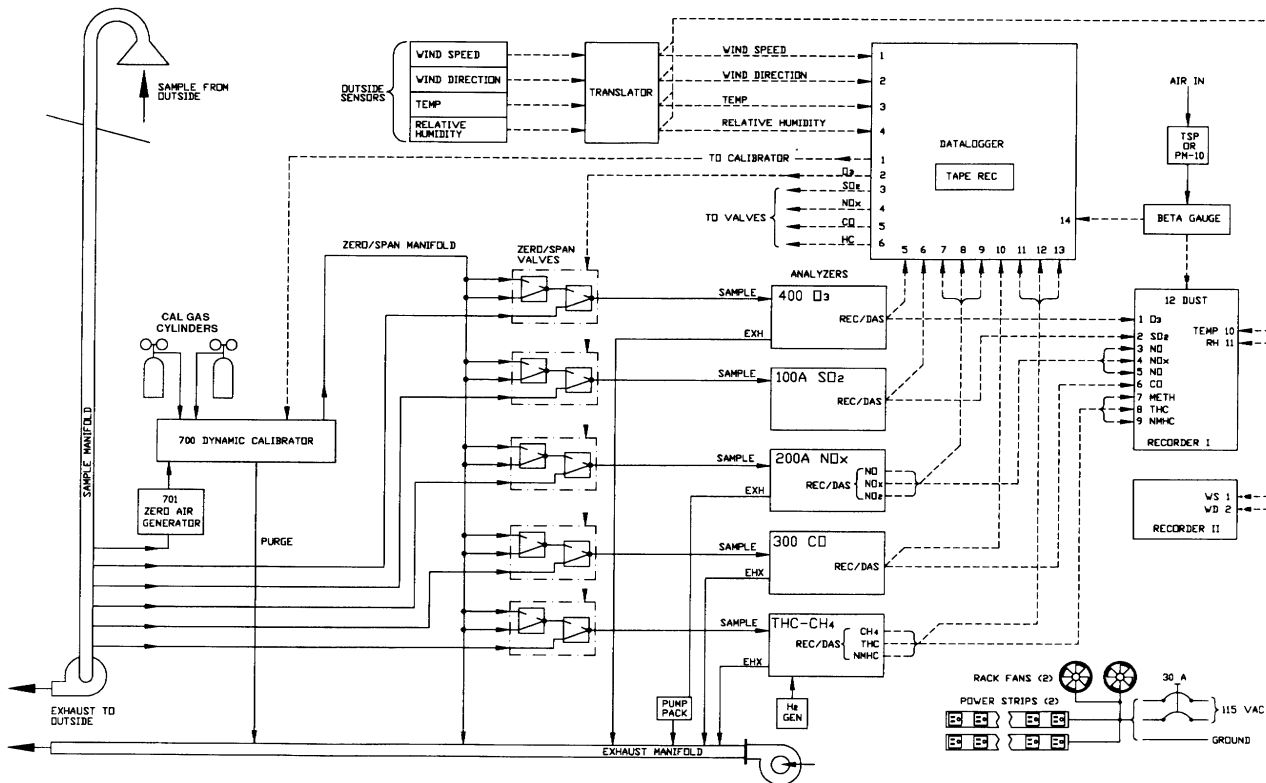
900 to a power source, install the sampling manifolds, calibrate and begin taking data.

All API analyzers have a bi-directional RS232 interface and, with the multi-drop interface, can be accessed remotely using the same phone line as the data acquisition system. This allows full control and diagnostics from the central station.

Purchasing a complete and fully documented "turnkey" system saves you considerable time and cost. API designs for system compatibility by integrating calibrators, met equipment, dataloggers and software. API equipment has many common assemblies, thus reducing maintenance costs and providing for ease of care. API will supply a complete

system to meet your exact application with guaranteed performance at a fixed price!
Contact API for a System quotation to meet your exact requirements at an affordable price.

SYSTEM 900 BLOCK DIAGRAM (TYPICAL)



API ADVANCED POLLUTION INSTRUMENTATION, INC.